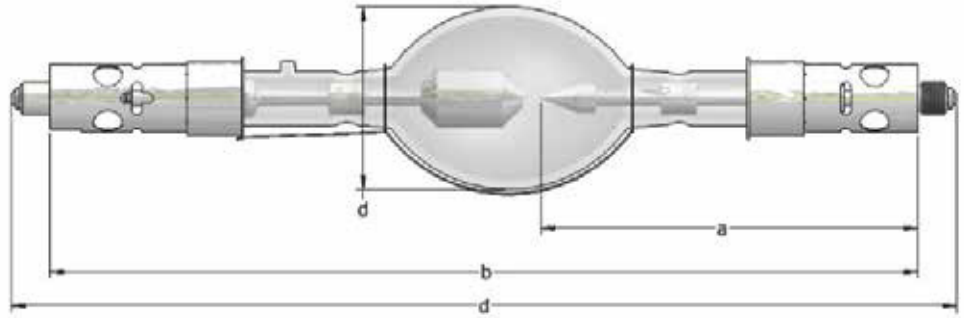


XDC-7000C

Digital Cinema Xenon Lamp



APPLICATIONS

Christie CP2230, CP4230, CP2000-S, CP2000-H
CP2000-XB, Roadie 25K, Roadie 4K45

TECHNICAL SPECIFICATIONS

Rated Power	W	7000
Rated Current	A	166
Operating Current Range	A	125-175
Rated Voltage	V	42
Distance a	mm	165.5
Length b	mm	381
Length c (max)	mm	419
Cold arc gap	mm	8
Bulb Diameter d	mm	80
Anode (+) Base Diameter	mm	30
Anode Pin Diameter	mm	14
Cathode (-) Base Diameter	mm	30
Cathode Thread Type		M14 x 1.5
Cable Length e	mm	N/A
Horizontal Operating Position	deg	±15
Min. Cooling Air Flow Velocity	m/sec	7
Base Surface Temperature (max)	deg C	200

WARRANTY: 350 hours (100%)

