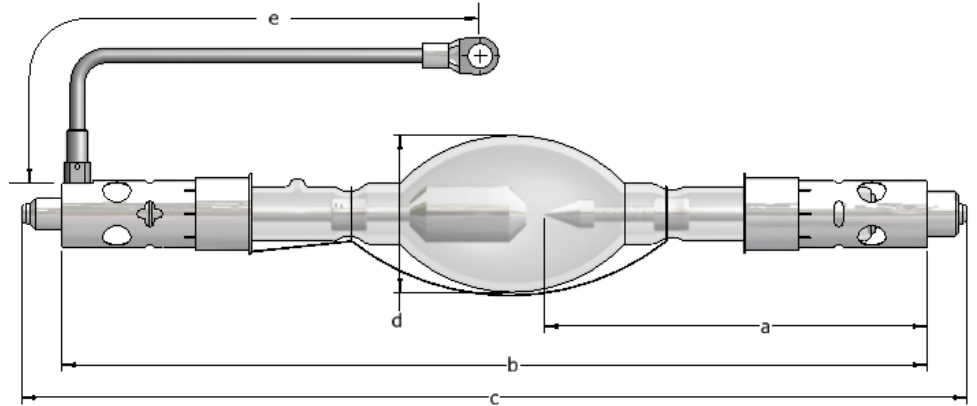


XDC-7000N

Digital Cinema Xenon Lamp



APPLICATIONS

NEC

NC2500S, NC3200S, NC3240S

TECHNICAL SPECIFICATIONS

Rated Power	W	7000
Rated Current	A	158
Operating Current Range	A	115-180
Rated Voltage	V	44
Distance a	mm	171.5
Length b	mm	387
Length c (max)	mm	423
Cold arc gap	mm	80
Bulb Diameter d	mm	70
Anode (+) Base Diameter	mm	30
Anode Pin Diameter	mm	14
Cathode (-) Base Diameter	mm	30
Cathode Pin Diameter	mm	20
Cable Length e	mm	220
Horizontal Operating Position	deg	±15
Min. Cooling Air Flow Velocity	m/sec	7
Base Surface Temperature (max)	deg C	200

WARRANTY: 300 hours (100%)



Lighting Technologies International LLC
13700 Live Oak Avenue, Baldwin Park, CA,
USA 91706
www.ltilighting.com

Rev. 3 / 2020
Subject to Change