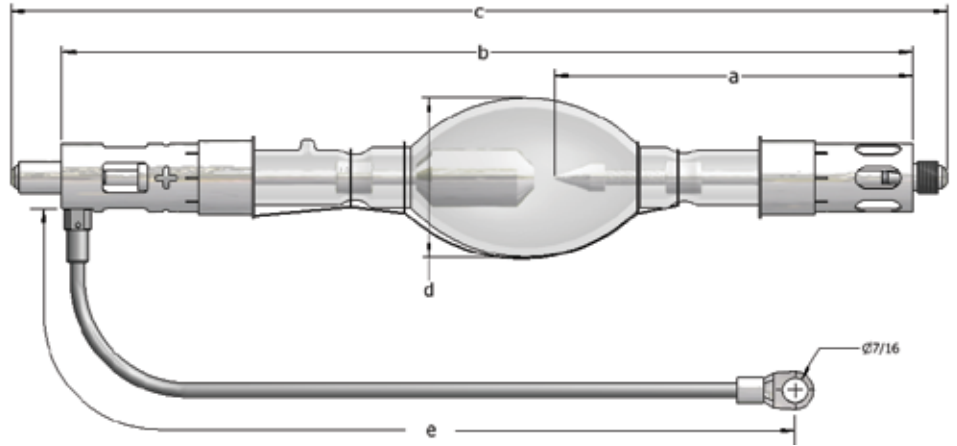


XDC-6500TAL

Digital Cinema Xenon Lamp



APPLICATIONS

Kinoton/Cinemeccanica digital cinema projectors

TECHNICAL SPECIFICATIONS

Rated Power	W	6500
Rated Current	A	162
Operating Current Range	A	105-175
Rated Voltage	V	40
Distance a	mm	158.5
Length b	mm	375.5
Length c (max)	mm	413
Cold arc gap	mm	8.7
Bulb Diameter d	mm	70
Anode (+) Base Diameter	mm	30
Anode Pin Diameter	mm	14
Cathode (-) Base Diameter	mm	30
Cathode Pin Diameter		M14 x 1.5
Cable Length e	mm	400
Horizontal Operating Position	deg	±15
Min. Cooling Air Flow Velocity	m/sec	7
Base Surface Temperature (max)	deg C	200

WARRANTY: 700 hours (100%)

