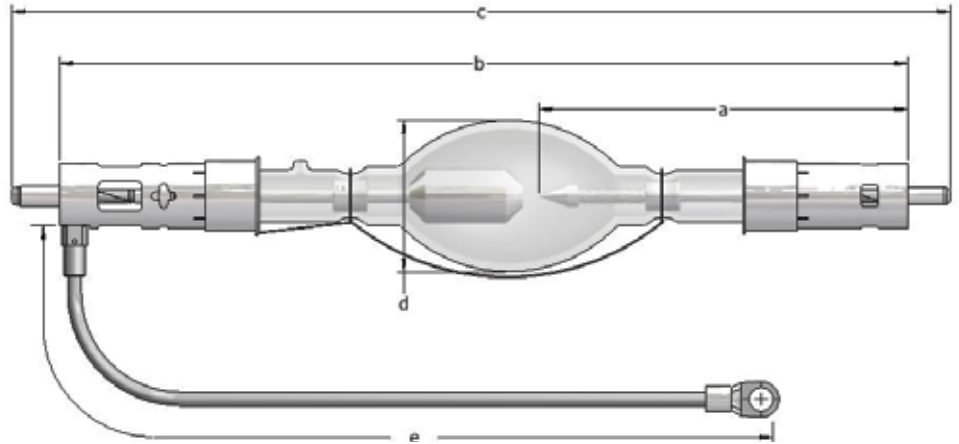


XDC-6000TAL

Digital Cinema Xenon Lamp



APPLICATIONS

Kinoton/Cinemecanica digital cinema projectors

TECHNICAL SPECIFICATIONS

Rated Power	W	6000
Rated Current	A	157
Operating Current Range	A	140-165
Rated Voltage	V	38
Distance a	mm	170
Length b	mm	391
Length c (max)	mm	433
Cold arc gap	mm	7.5
Bulb Diameter d	mm	70
Anode (+) Base Diameter	mm	30
Anode Pin Diameter	mm	9.4
Cathode (-) Base Diameter	mm	30
Cathode Pin Diameter	mm	7.9
Cable Length e	mm	400
Horizontal Operating Position	deg	±15
Min. Cooling Air Flow Velocity	m/sec	7
Base Surface Temperature (max)	deg C	200

WARRANTY: 800 hours (100%)

