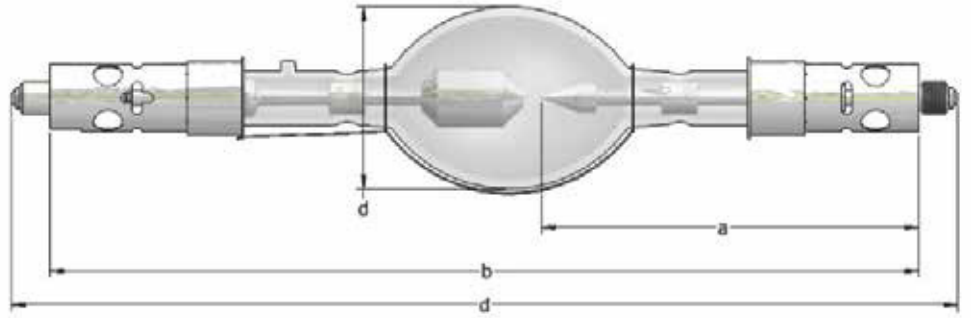


# XDC-6000CL

Digital Cinema Xenon Lamp



## APPLICATIONS

Christie CP2230, CP4230, CP2000-XB  
CP2000-S, CP2000-H

## TECHNICAL SPECIFICATIONS

Rated Power	W	6000
Rated Current	A	158
Operating Current Range	A	100-160
Rated Voltage	V	38
Distance a	mm	165.5
Length b	mm	381
Length c (max)	mm	415
Cold arc gap	mm	7.75
Bulb Diameter d	mm	80
Anode (+) Base Diameter	mm	30
Anode Pin Diameter	mm	14
Cathode (-) Base Diameter	mm	30
Cathode Thread Type		M14 x 1.5
Cable Length e	mm	N/A
Horizontal Operating Position	deg	± 15
Min. Cooling Air Flow Velocity	m/sec	7
Base Surface Temperature (max)	deg C	200

WARRANTY: 800 hours (100%)

