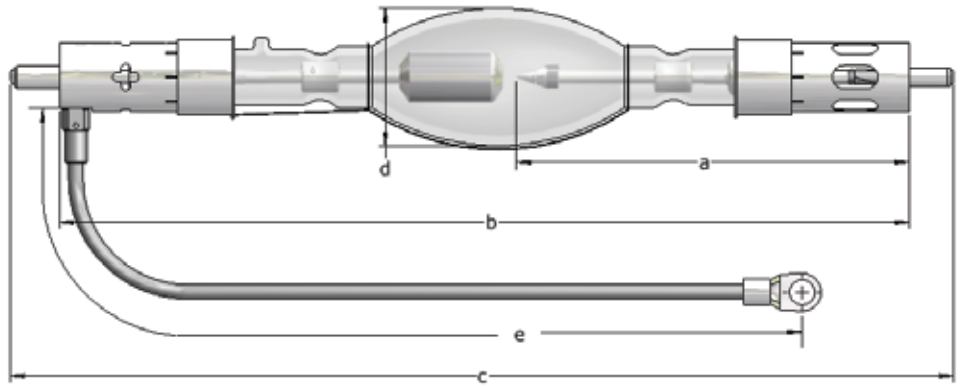


XDC-4500TA

Digital Cinema Xenon Lamp



APPLICATIONS

Kinoton/Cinemeccanica digital cinema projectors

TECHNICAL SPECIFICATIONS

Rated Power	W	4500
Rated Current	A	145
Operating Current Range	A	80-150
Rated Voltage	V	30
Distance a	mm	171
Length b	mm	370
Length c (max)	mm	410
Cold arc gap	mm	6.0
Bulb Diameter d	mm	60
Anode (+) Base Diameter	mm	30
Anode Pin Diameter	mm	10
Cathode (-) Base Diameter	mm	30
Cathode Pin Diameter	mm	8
Cable Length e	mm	400
Horizontal Operating Position	deg	±15
Min. Cooling Air Flow Velocity	m/sec	7
Base Surface Temperature (max)	deg C	200

WARRANTY: 1000 hours (100%)

