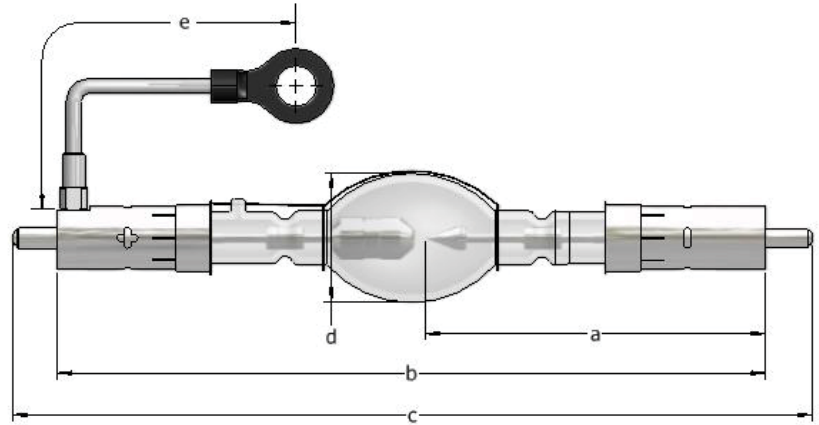


# XDC-3001B

Digital Cinema Xenon Lamp



## APPLICATIONS

Barco DP2K-32B, DP4K-32B, DP-90, DP-100, DP-3000

## TECHNICAL SPECIFICATIONS

Rated Power	W	3000
Rated Current	A	110
Operating Current Range	A	60-120
Rated Voltage	V	29
Distance a	mm	145
Length b	mm	302
Length c (max)	mm	342
Cold arc gap	mm	5.0
Bulb Diameter d	mm	55
Anode (+) Base Diameter	mm	27
Anode Pin Diameter	mm	9.4
Cathode (-) Base Diameter	mm	27
Cathode Pin Diameter	mm	7.9
Cable Length e	mm	153
Horizontal Operating Position	deg	±15
Min. Cooling Air Flow Velocity	m/sec	7
Base Surface Temperature (max)	deg C	200

WARRANTY: 1500 hours (100%)



Lighting Technologies International LLC  
13700 Live Oak Avenue, Baldwin Park, CA,  
USA 91706  
www.ltilighting.com

Rev. 3 / 2020  
Subject to Change