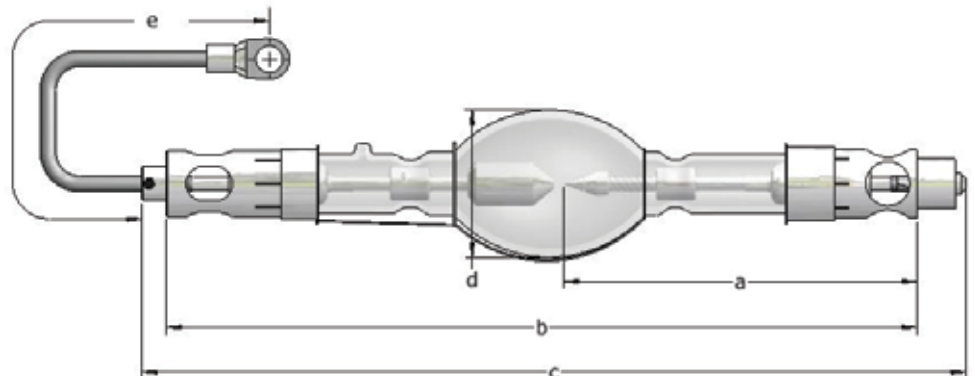


XDC-2000N

Digital Cinema Xenon Lamp



APPLICATIONS

NEC NC1200C, NC1600C, NC2000C

TECHNICAL SPECIFICATIONS

Rated Power	W	2000
Rated Current	A	80
Operating Current Range	A	50-85
Rated Voltage	V	25
Distance a	mm	144
Length b	mm	306
Length c (max)	mm	336
Cold arc gap	mm	4.2
Bulb Diameter d	mm	60
Anode (+) Base Diameter	mm	27
Anode Pin Diameter	mm	14
Cathode (-) Base Diameter	mm	28
Cathode Pin Diameter	mm	20
Cable Length e	mm	160
Horizontal Operating Position	deg	±15
Min. Cooling Air Flow Velocity	m/sec	7
Base Surface Temperature (max)	deg C	200

WARRANTY: 2500 hours (100%)

